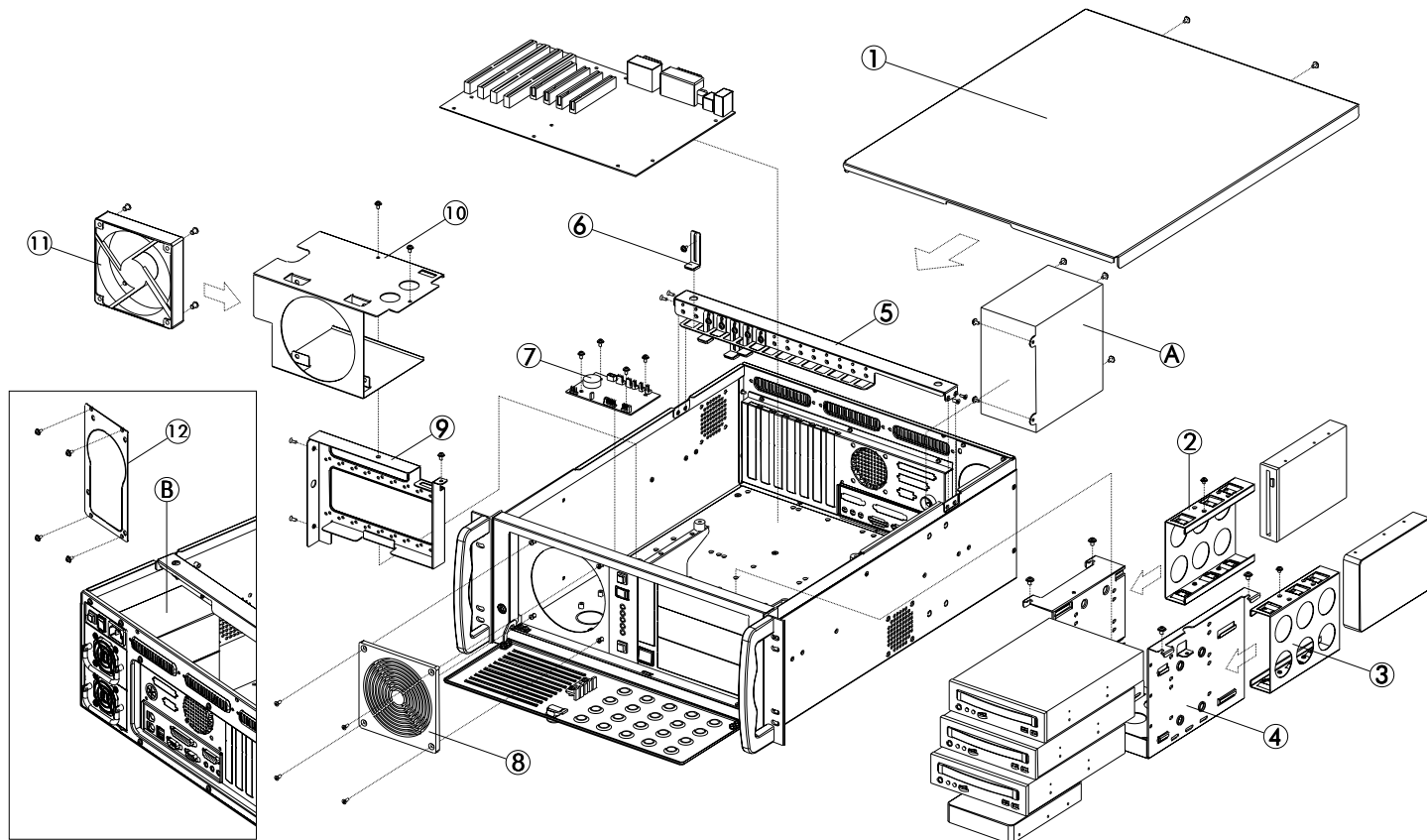
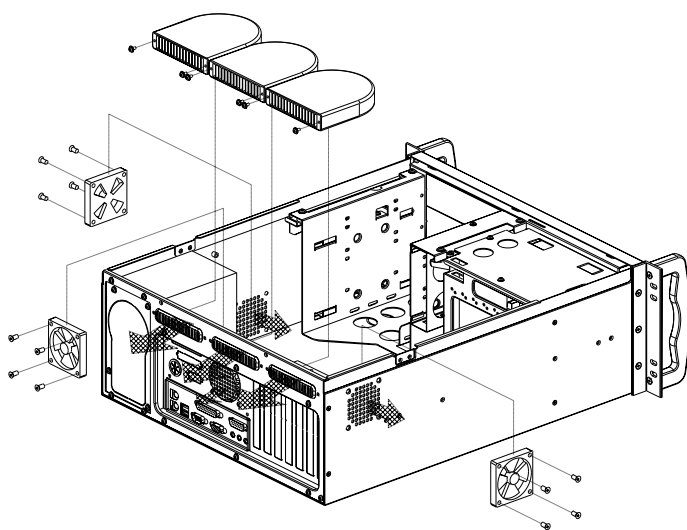


## Quick Reference Guide

### Exploded Diagram



#### Optional Fan Installation (up to 6 Fans)



	Components	Qty
1.	Chassis - Top	1
2.	3.5" Disk Drive Bay (FDD)	1
3.	HDD Bay	1
4.	5.25" (3x) / 3.5" (1x) Disk Drive Bay	1
5.	Hold-down Clamp	1
6.	Rubber Buffers	6
7.	Advanced System Monitoring Unit (Option)	1
8.	Filter Tray with Washable Filter	1
9.	SBC Rack	1
10.	Fan Bracket	1
11.	Fan	1
12.	PS/2 Power Supply Bracket	1

#### Configuration A

- IRC-4E662MX with PS/2 standard power supply unit  
Please note that the PS/2 power supply bracket, item No. 12, has not been removed from the back panel of the chassis.

#### Configuration B

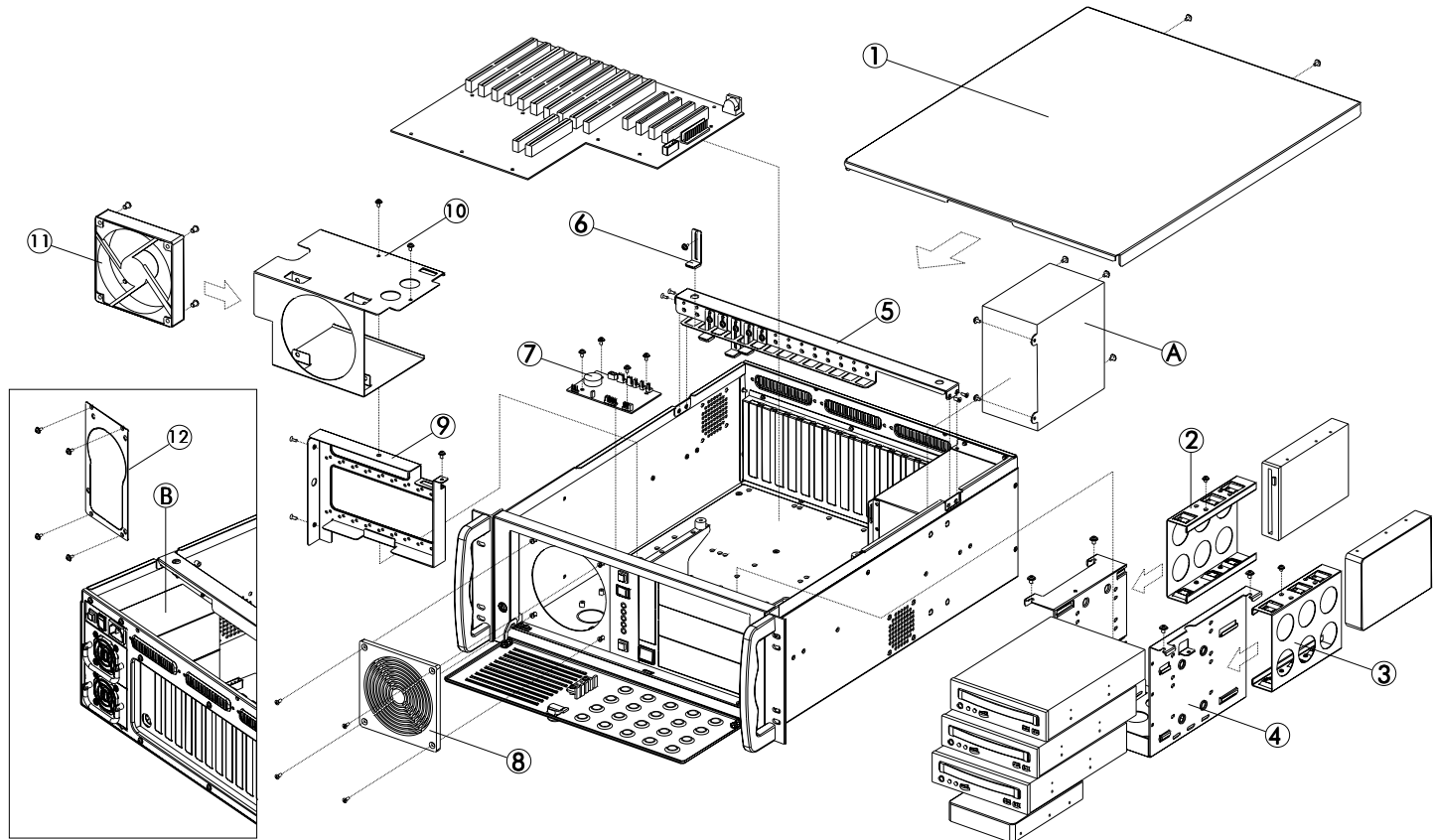
- IRC-4E662MX with redundant power supply unit  
Note that the PS/2 power supply bracket, item No. 12, must be removed from the back panel of the chassis.

#### Advanced System Monitoring Unit - Locations

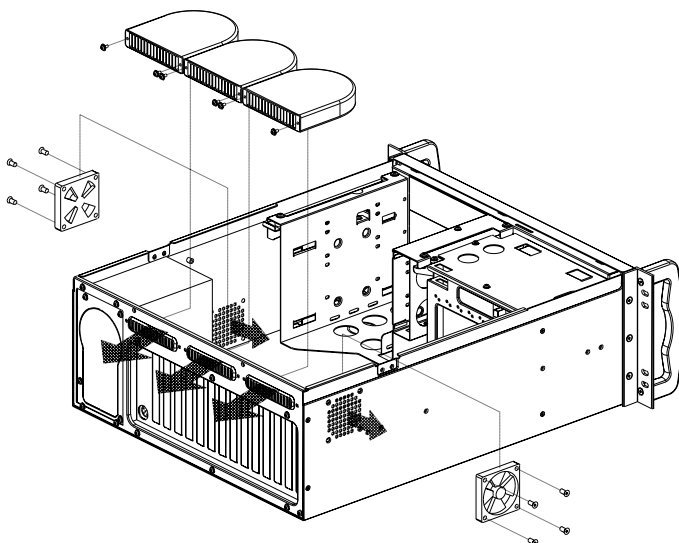
The item No. 7, advanced system monitoring unit, is located below the chassis cooling unit, i.e. SBC rack with fan bracket and chassis fan.

## Quick Reference Guide

### Exploded Diagram



#### Optional Fan Installation (up to 5 Fans)



	Components	Qty
1.	Chassis - Top	1
2.	3.5" Disk Drive Bay (FDD)	1
3.	HDD Bay	1
4.	5.25" (3x) / 3.5" (1x) Disk Drive Bay	1
5.	Hold-down Clamp	1
6.	Rubber Buffers	15
7.	Advanced System Monitoring Unit(Optoin)	1
8.	Filter Tray with Washable Filter	1
9.	SBC Rack	1
10.	Fan Bracket	1
11.	Fan	1
12.	PS/2 Power Supply Bracket	1

#### Configuration A

- IRC-4E662MS with PS/2 standard power supply unit  
Please note that the PS/2 power supply bracket, item No. 12, has not been removed from the back panel of the chassis.

#### Configuration B

- IRC-4E662MS with redundant power supply unit  
Note that the PS/2 power supply bracket, item No. 12, must be removed from the back panel of the chassis.

#### Advanced System Monitoring Unit - Locations

The item No. 7, advanced system monitoring unit, is located below the chassis cooling unit, i.e. SBC rack with fan bracket and chassis fan.